

Sink Uragano

Kitchen Sinks

Code: 1555 609



DETAILS

Edge/Installation Type Standard (8 mm Edge)

Finish Foster brushed

Material AISI 304 stainless steel

Texture Foster brushed

Base 100 cm

Dimensions 970x500 mm

Standard fittings Fixing hooks, gasket, drain, overflow and siphon, boxed packing

Mixer holes 1 standard hole - 2nd hole on request

Built-in hole 950x480 mm

Drainer No

Width 97 cm

Bowl dimension 910x440mm

Number of bowls 1 bowl

Waste fitting 3,5" drain

EQUIPMENT

1 x Iroko-wood chopping board

8659 112

1 x Stainless steel bowl-holder

ring 8100 112

1 x White bowl 8152 100

1 x White colander 8151 100

FEATURES

Basket 3,5" waste fitting

The drain is equipped with a large 3.5" drain, with the practical basket cap that prevents the discharge of solid parts.

Deep bowls

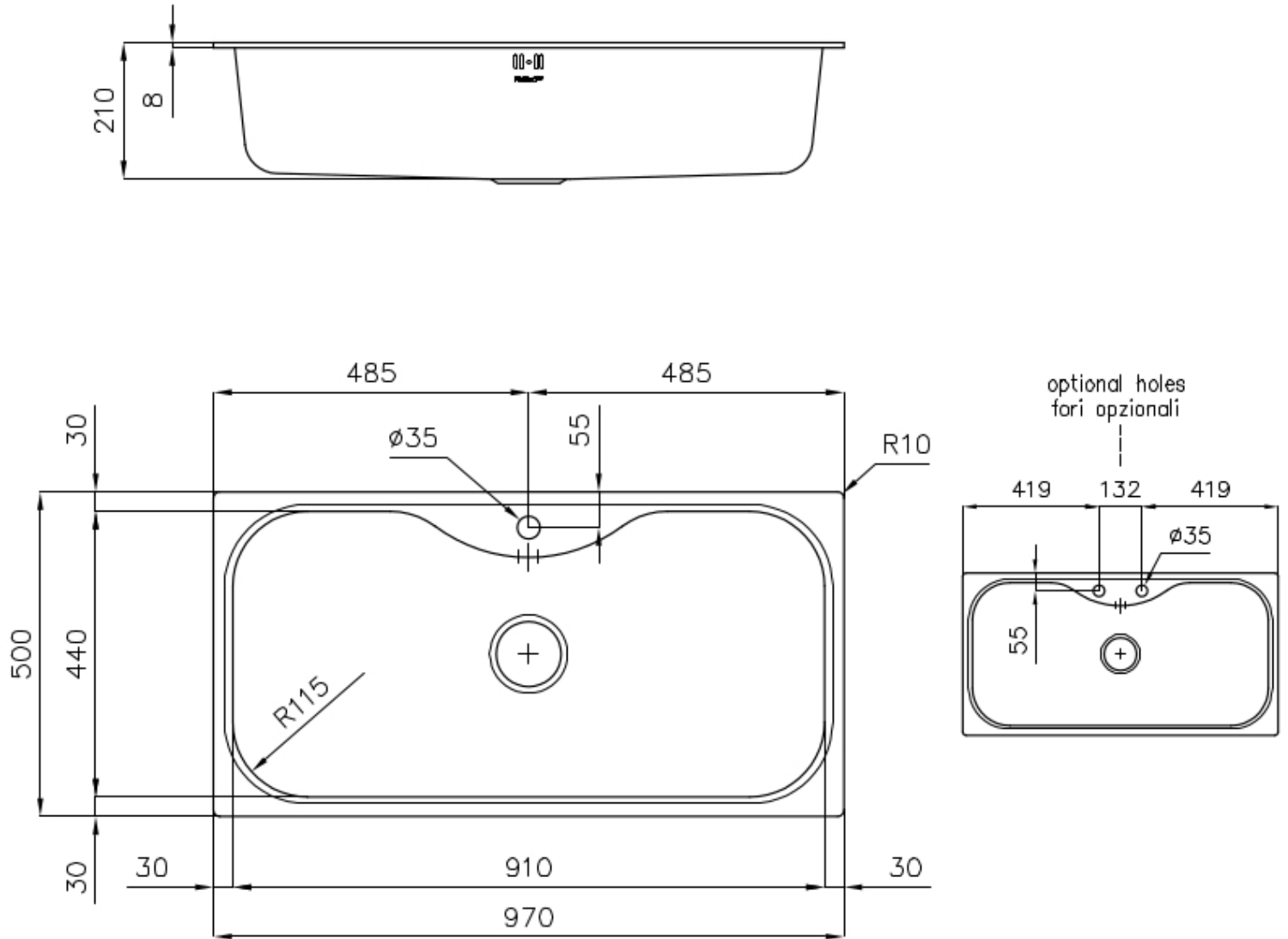
This bowls reach an important depth, over 20 cm, thanks to the advanced production technology, that can be offer great capiciency and practicity in all the washing operations.

High thickness

1mm thick steel. A significant thickness, which guarantees the maximum sturdiness and durability.

Sliding brackets

TECHNICAL DATA



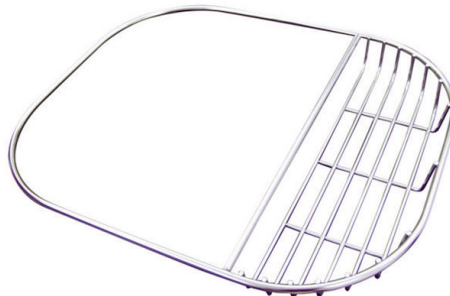
GALLERY



EQUIPMENT



Iroko-wood chopping board
8659 112



Stainless steel bowl-holder ring
8100 112



Vaschetta bianca
8152 100
* only in combination with the accessory
8100 112



White colander
8151 100

OPTIONAL ACCESSORIES



Iroko-wood twin chopping board
8644 003



Stainless steel plate rack
8100 154



Stainless steel plate rack
8100 111

RECOMMENDED PAIRINGS



Mixer Tap KS Plus
8522 000



Mixer Tap Magnum
8484 000